



Stainless Steel FRLs

Air Preparation Units

Catalogue no. PDE2504TCUK-ca



Stainless Steel FRLs



WARNING

FAILURE OR IMPROPER SELECTION OR IMPROPER USE OF THE PRODUCTS AND/OR SYSTEMS DESCRIBED HEREIN OR RELATED ITEMS CAN CAUSE DEATH, PERSONAL INJURY AND PROPERTY DAMAGE.

This document and other information from Parker Hannifin Corporation, its subsidiaries and authorized distributors provide product and/or system options for further investigation by users having technical expertise. It is important that you analyze all aspects of your application and review the information concerning the product or system in the current product catalog. Due to the variety of operating conditions and applications for these products or systems, the user, through its own analysis and testing, is solely responsible for making the final selection of the products and systems and assuring that all performance, safety and warning requirements of the application are met. The products described herein, including without limitation, product features, specifications, designs, availability and pricing, are subject to change by Parker Hannifin Corporation and its subsidiaries at any time without notice.

SALE CONDITIONS

The items described in this document are available for sale by Parker Hannifin Corporation, its subsidiaries or its authorized distributors. Any sale contract entered into by Parker will be governed by the provisions stated in Parker's standard terms and conditions of sale (copy available upon request).

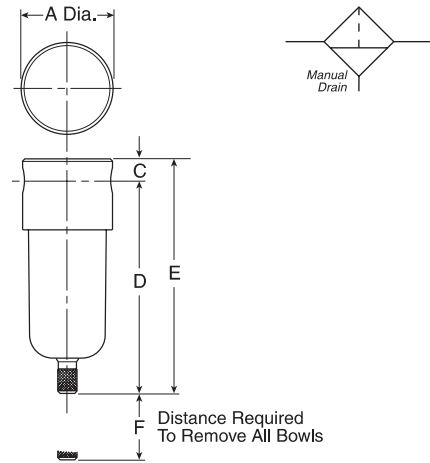


Air Line Filters	
1/4" Miniature PF504	4
1/2" Standard PF10	8
Air Line Coalescing Filters	
1/4" Miniature PF501	5
1/2" Standard PF11	9
Air Line Regulators	
1/4" Miniature PR364	6
1/2" Standard PR10	10
Filter / Regulator "Piggybacks"	
1/4" Miniature PB548	7
1/2" Standard PB11	11
Air Line Lubricators	
1/2" Standard PL10	12
Accessories and Replacement Kits	13

Filter - 1/4" Miniature

Features

- Stainless Steel Construction handles most corrosive environments.
- Fluorocarbon seals standard.
- High Flow: 1/4" – 10.85 dm³/s
- Meets NACE specifications.
National Association of Corrosion Engineers



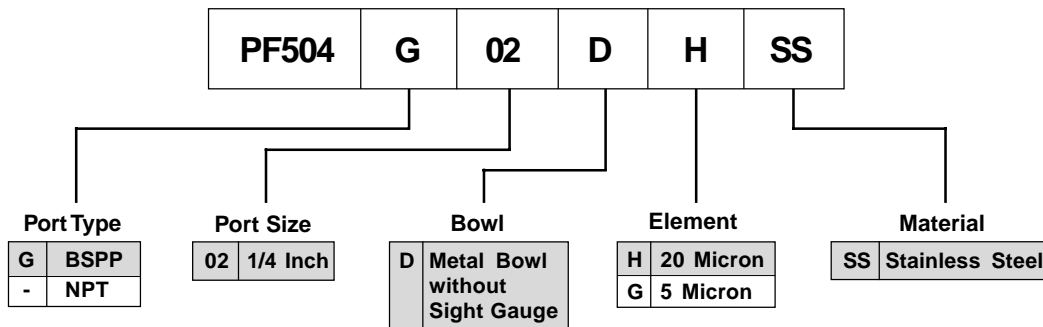
Port Size	BSP	NPT
	Manual Drain	Manual Drain
1/4"	PF504G02DHSS	PF504-02DHSS

PF504 Filter Dimensions		
A	C	D
40mm	8mm	94mm
E	F	
102mm	40mm	

Standard part numbers shown, for other models refer to ordering information below.

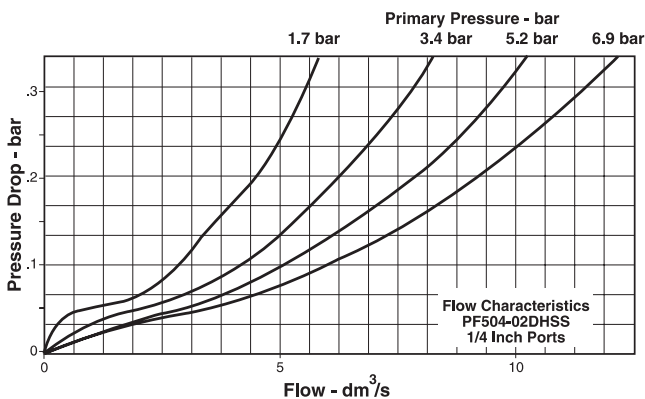
§ dm³/s = flow at 6.2 bar and 0.3 bar pressure drop.

Ordering Information



NOTE: Shaded items are standard.

Technical Information



Specifications

Bowl Capacity	29 cm ³
Filter Rating	20 Micron
Sump Capacity	12 cm ³
Port Threads	1/4 Inch
Pressure & Temperature Ratings	0 to 20.7 bar (0 to 300 PSIG)
 4°C to 82°C (40°F to 180°F)
Weight	275g

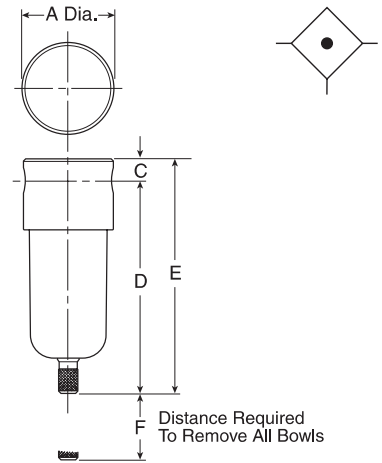
Materials of Construction

Body	316 Stainless Steel
Bowls	316 Stainless Steel
Drain	316 Stainless Steel
Filter Element	Polyethylene
Element Holder	Acetal
Seals	Fluorocarbon
Deflector	Acetal

Coalescing Filter - 1/4" Miniature

Features

- Stainless Steel Construction handles most corrosive environments.
- Meets NACE specifications.
- High Flow: 1/4" – 7.55 dm³/s

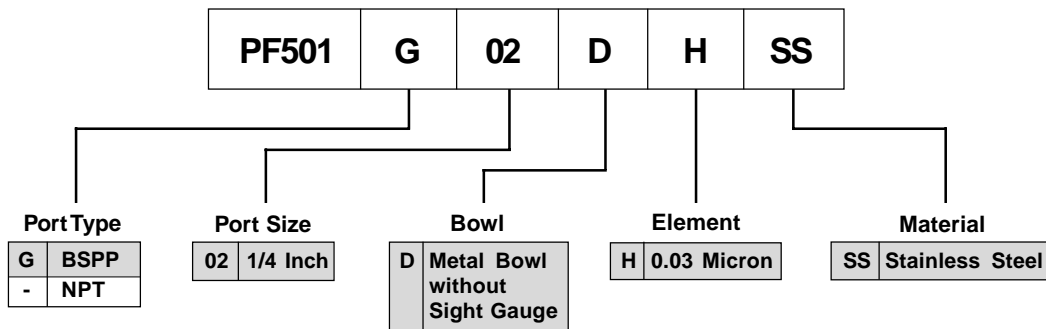


Port Size	BSPP	NPT
	Manual Drain	Manual Drain
1/4"	PF501G02DHSS	PF501-02DHSS

PF501 Coalescing Filter Dimensions		
A 40mm	C 8mm	D 94mm
E 102mm	F 40mm	

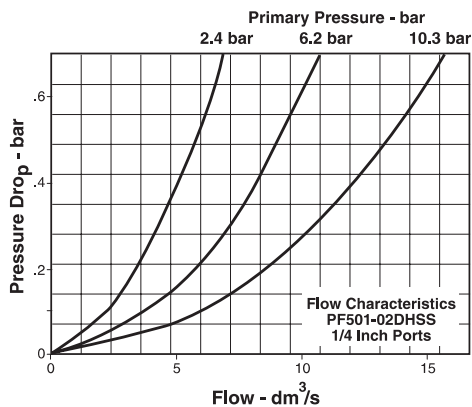
Standard part numbers shown, for other models refer to ordering information below.
 § dm³/s = flow at 6.2 bar and 0.3 bar pressure drop.

Ordering Information



NOTE: Shaded items are standard.

Technical Information



Specifications

Bowl Capacity 29 cm³
 Filter Rating 0.03 Micron
 Sump Capacity 12 cm³
 Port Threads 1/4 Inch
 Pressure & Temperature Ratings ... 0 to 20.7 bar (0 to 300 PSIG)
 4°C to 82°C (40°F to 180°F)
 Weight 270g

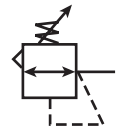
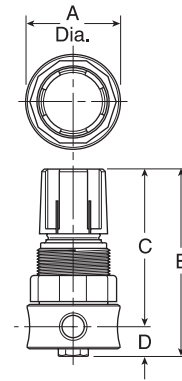
Materials of Construction

Body 316 Stainless Steel
 Bowls 316 Stainless Steel
 Drain 316 Stainless Steel
 Filter Element Borosilicate Fiber
 Element Holder Acetal
 Seals Fluorocarbon

Regulator - 1/4" Miniature

Features

- Stainless Steel Construction handles most corrosive environments.
- Large diaphragm to valve area ratio for precise regulation and high flow capacity.
- Meets NACE specifications.
- High Flow: 1/4" – 5.75 dm³/s

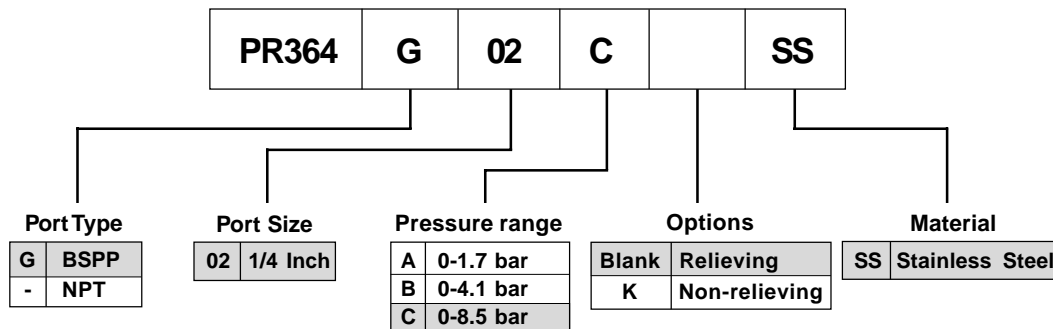


Port Size	BSP	NPT
1/4"	PR364G02CSS	PR364-02CSS

PR364 Regulator Dimensions		
A	C	D
40mm	65mm	13mm
E		
78mm		

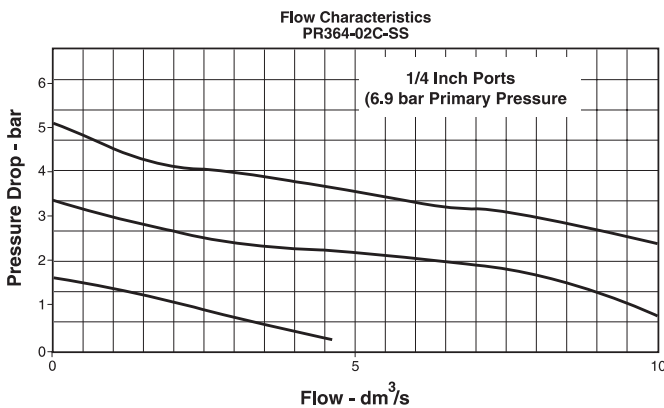
Standard part numbers shown, for other models refer to ordering information below.
 § dm³/s = 7 bar inlet pressure with reduced pressure of 5.5 bar.

Ordering Information



NOTE: Shaded items are standard.

Technical Information



Specifications

Gauge Port 1/4 Inch
 Operation Fluorocarbon Diaphragm
 Port Threads 1/4 Inch
 Pressure & Temperature Ratings – 20.7 bar (300 PSIG Max)
 4°C to 66°C (40°F to 150°F)
 Weight 230g

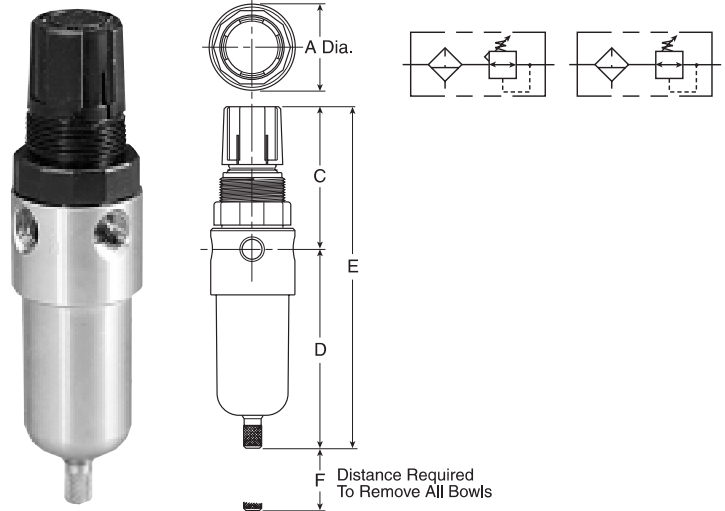
Materials of Construction

Adjustment Mechanism / Springs 316 Stainless Steel
 Body 316 Stainless Steel
 Bottom Plug 316 Stainless Steel
 Poppet 316 Stainless Steel
 Bonnet Acetal
 Seals Fluorocarbon
 Knob Polypropylene

Filter/Regulator - 1/4" Miniature

Features

- Stainless Steel Construction handles most corrosive environments.
- Large diaphragm to valve area ratio for precise regulation and high flow capacity.
- Meets NACE specifications.
- High Flow: 1/4" – 5.75 dm³/s

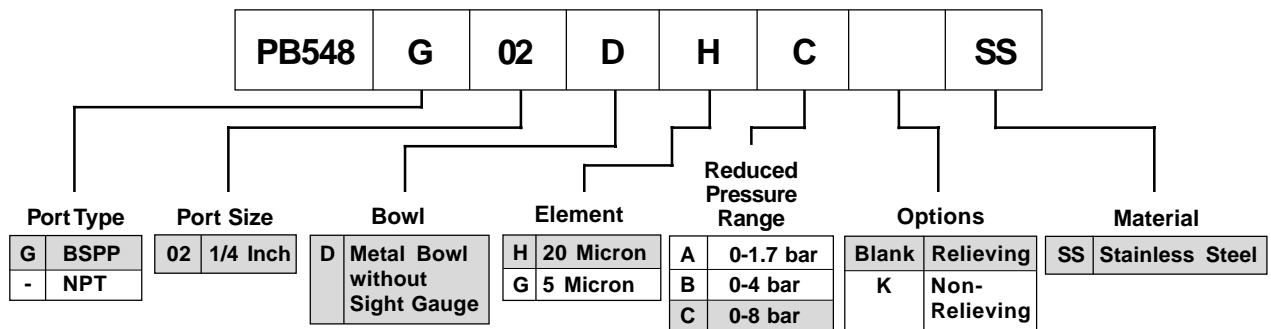


Port Size	BSPP	NPT
1/4"	PB548G02DHCSS	PB548-02DHCSS

PB548 Filter/Reg Dimensions		
A 40mm	C 67mm	D 92mm
E 159mm	F 40mm	

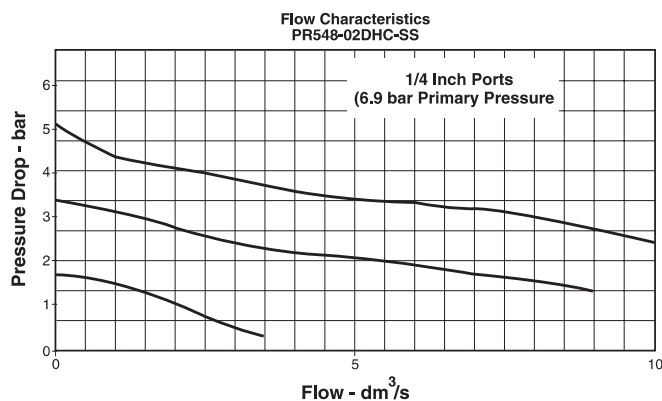
Standard part numbers shown, for other models refer to ordering information below.
 § dm³/s = 7 bar inlet pressure with reduced pressure of 5.5 bar.

Ordering Information



NOTE: Shaded items are standard.

Technical Information



Specifications

Bowl Capacity	29 cm ³
Filter Rating	20 Micron
Gauge Port	1/4 Inch
Operation	Fluorocarbon Diaphragm
Port Threads	1/4 Inch
Pressure & Temperature Ratings	20.7 bar (300 PSIG Max) 4°C to 66°C (40°F to 150°F)
Sump Capacity	12 cm ³
Weight	270g

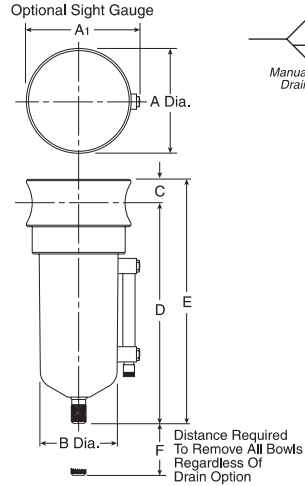
Materials of Construction

Adjustment Mechanism / Springs	316 Stainless Steel
Body	316 Stainless Steel
Bottom Plug	316 Stainless Steel
Poppet	316 Stainless Steel
Bonnet	Acetal
Seals	Fluorocarbon
Knob	Polypropylene

Filter - 1/2" Standard

Features

- Stainless Steel Construction handles most corrosive environments.
- Meets NACE specifications.
- High Flow: 1/2" – 34 dm³/s

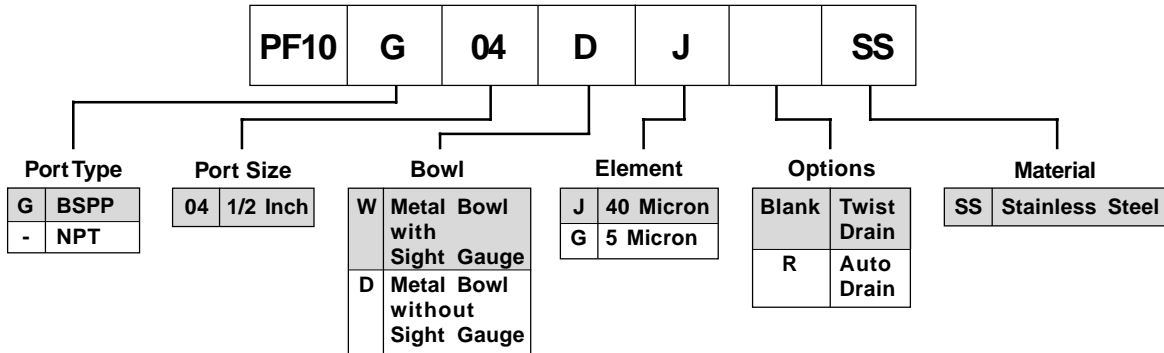


Port Size	BSPP		NPT	
	Manual Drain	Auto Float Drain	Manual Drain	Auto Float Drain
1/2"	PF10G04WJSS	PF10G04WJRSS	PF10-04WJSS	PF10-04WJRSS

PF10 Filter Dimensions		
A	A₁	B
60mm	64mm	44 mm
C	D	E
14mm	127mm	141mm
F		
54mm		

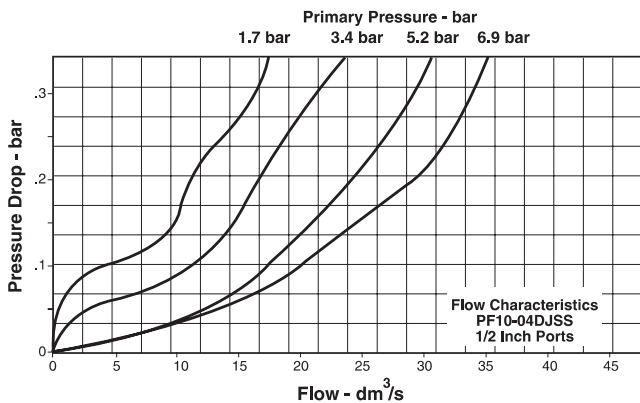
Standard part numbers shown, for other models refer to ordering information below.
 § dm³/s = flow at 6.2 bar and 0.3 bar pressure drop.

Ordering Information



NOTE: Shaded items are standard.

Technical Information



Specifications

- Bowl Capacity 118 cm³
- Filter Rating 40 Micron
- Sump Capacity 50 cm³
- Port Threads 1/2 Inch
- Pressure & Temperature Ratings –
 - Manual Drain – 0 to 20.7 bar (0 to 300 PSIG)
4°C to 82°C (40°F to 180°F)
 - Automatic Drain – 1 to 12 bar (15 to 175 PSIG)
4°C to 49°C (40°F to 120°F)
- Weight 850g

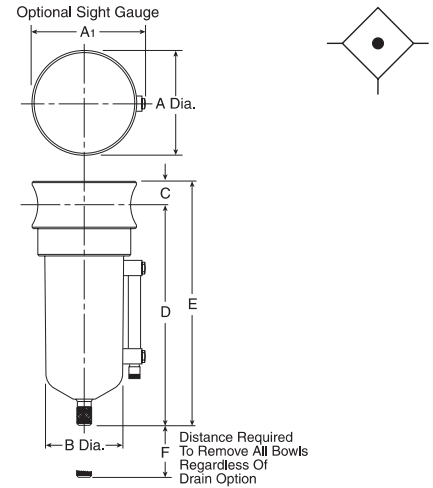
Materials of Construction

- Body 316 Stainless Steel
- Bowls 316 Stainless Steel
- Drain 316 Stainless Steel
- Filter Element Polyethylene
- Element Holder Acetal
- Seals Fluorocarbon
- Deflector Acetal
- Sight Glass ISOPlast 301 Polyurethane

Coalescing Filter - 1/2" Standard

Features

- Stainless Steel Construction handles most corrosive environments.
- Meets NACE specifications.
- High Flow: 1/2" – 21 dm³/s

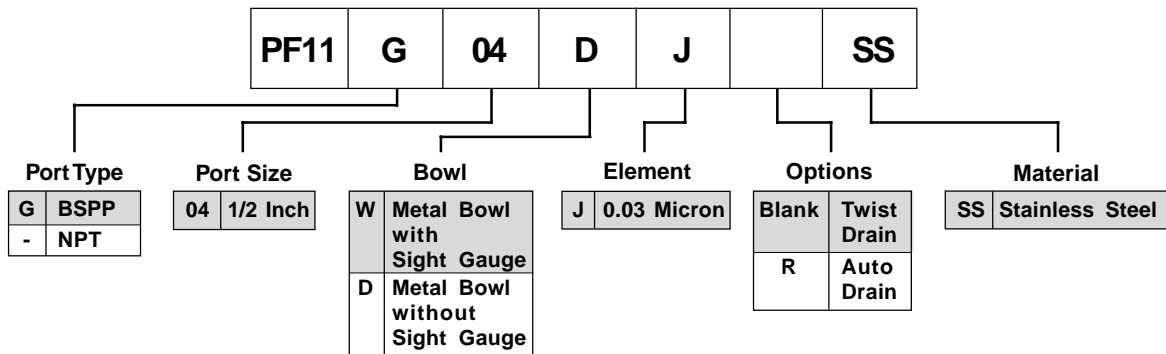


Port Size	BSP	NPT
	Manual Drain	Manual Drain
1/2"	PF11G04WJSS	PF11-04WJSS

Standard part numbers shown, for other models refer to ordering information below.
 § dm³/s = flow at 6.2 bar and 0.3 bar pressure drop.

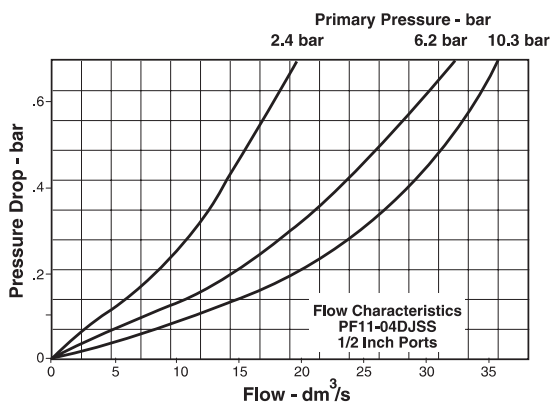
PF11 Filter Dimensions		
A 60mm	A₁ 64mm	B 44 mm
C 14mm	D 127mm	E 141mm
F 54mm		

Ordering Information



NOTE: Shaded items are standard.

Technical Information



Specifications

Bowl Capacity	118 cm ³
Filter Rating	0.01 Micron
Sump Capacity	50 cm ³
Port Threads	1/2 Inch
Pressure & Temperature Ratings –	
Manual Drain	0 to 20.7 bar (0 to 300 PSIG) 4°C to 82°C (40°F to 180°F)
Automatic Drain	1 to 12 bar (15 to 175 PSIG) 4°C to 49°C (40°F to 120°F)
Weight	850g

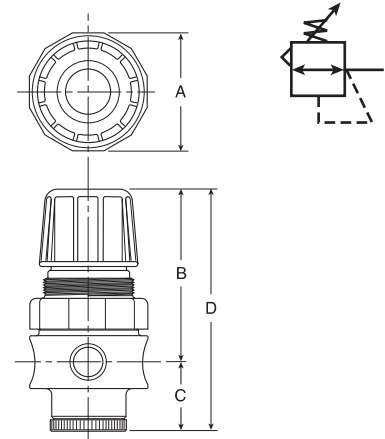
Materials of Construction

Body	316 Stainless Steel
Bowls	316 Stainless Steel
Drain	316 Stainless Steel
Filter Element	Borosilicate Fiber
Element Holder	Acetal
Seals	Fluorocarbon
Sight Glass	ISOPlast 301 Polyurethane

Regulator - 1/2" Standard

Features

- Stainless Steel Construction handles most corrosive environments.
- Large diaphragm to valve area ratio for precise regulation and high flow capacity.
- Meets NACE specifications.
- High Flow: 1/2" – 38 dm³/s



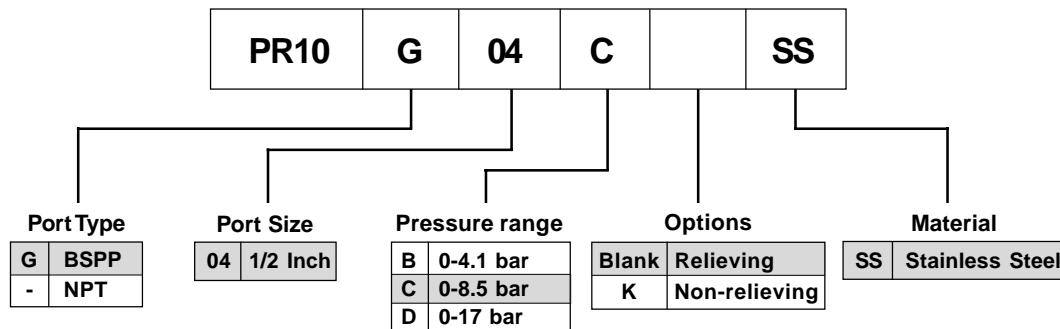
Port Size	BSPP	NPT
1/2"	PR10G04CSS	PR10-04CSS

PR10 Regulator Dimensions			
A	B	C	D
60mm	91mm	35mm	126mm

Standard part numbers shown, for other models refer to ordering information below.

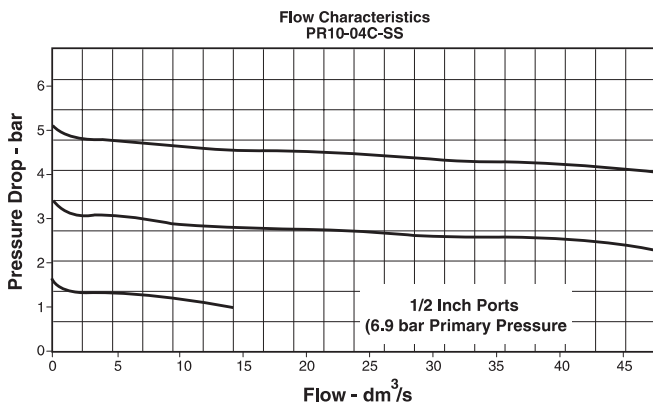
§ dm³/s = 7 bar inlet pressure with reduced pressure of 5.5 bar.

Ordering Information



NOTE: Shaded items are standard.

Technical Information



Specifications

Gauge Port 1/4 Inch
 Operation Fluorocarbon Diaphragm
 Port Threads 1/2 Inch
 Pressure & Temperature Ratings – 20.9 bar (300 PSIG Max)
 4°C to 66°C (40°F to 150°F)
 Weight 810g

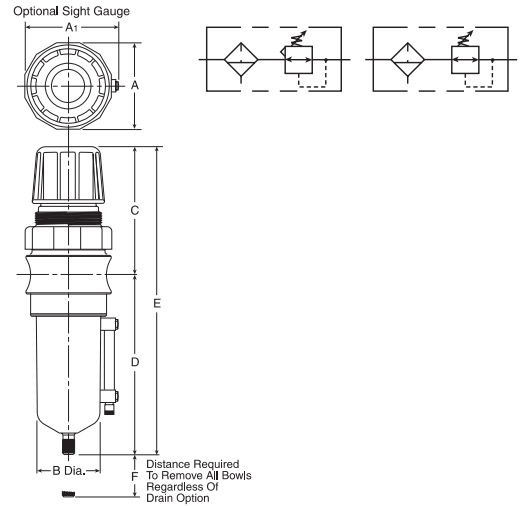
Materials of Construction

Adjustment Mechanism / Springs 316 Stainless Steel
 Body 316 Stainless Steel
 Bottom Plug 316 Stainless Steel
 Poppet 316 Stainless Steel
 Bonnet / Knob Acetal
 Seals Fluorocarbon

Filter/Regulator - 1/2" Standard

Features

- Stainless Steel Construction handles most corrosive environments.
- Large diaphragm to valve area ratio for precise regulation and high flow capacity.
- Meets NACE specifications.
- High Flow: 1/2" – 34 dm³/s



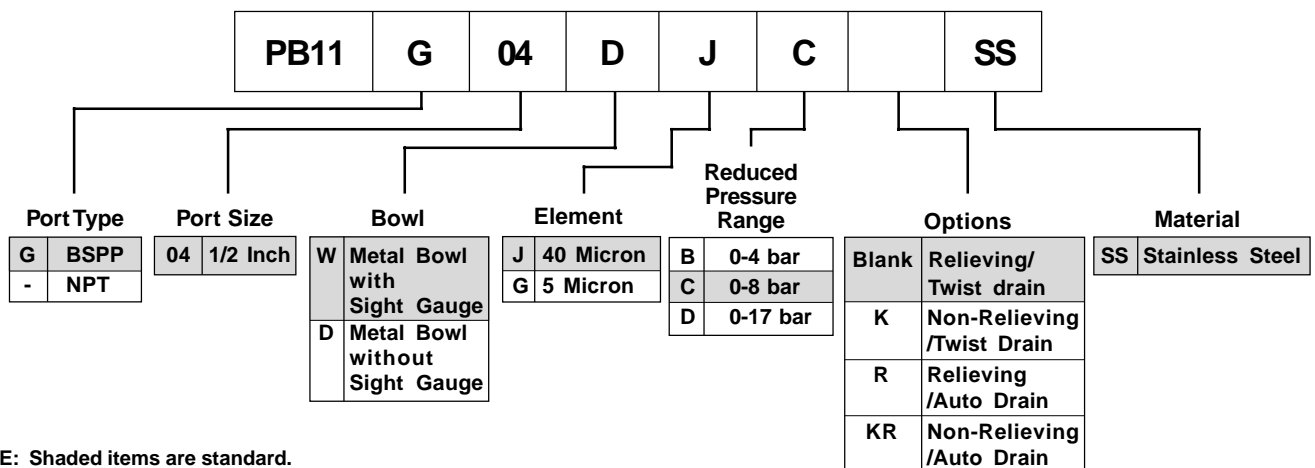
Port Size	BSPP	NPT
1/4"	PB11G04WJCSS	PB11-04WJCSS

PF11 Filter/Reg Dimensions		
A 60mm	A₁ 64mm	B 44 mm
C 91mm	D 127mm	E 218mm
F 54mm		

Standard part numbers shown, for other models refer to ordering information below.

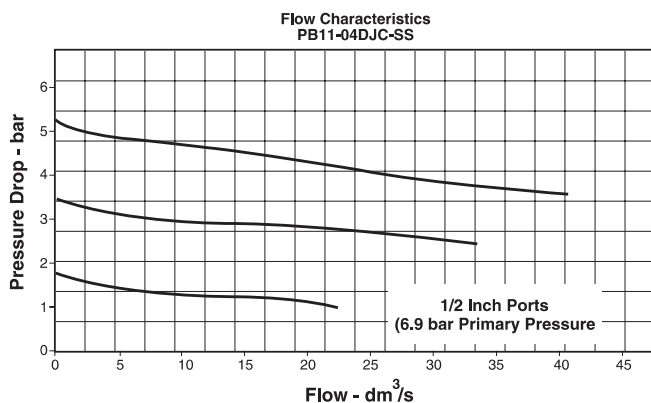
§ dm³/s = 7 bar inlet pressure with reduced pressure of 5.5 bar.

Ordering Information



NOTE: Shaded items are standard.

Technical Information



Specifications

Bowl Capacity	118 cm ³
Filter Rating	40 Micron
Gauge Port	1/4 Inch
Operation	Fluorocarbon Diaphragm
Port Threads	1/2 Inch
Pressure & Temperature Ratings	20.7 bar (300 PSIG Max) 4°C to 66°C (40°F to 150°F)
Sump Capacity	50 cm ³
Weight	1.09 kg

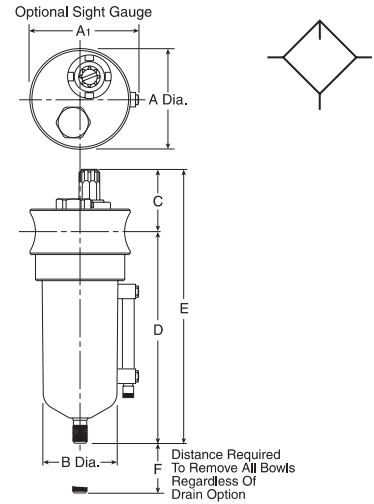
Materials of Construction

Adjustment Mechanism / Springs	316 Stainless Steel
Body	316 Stainless Steel
Bottom Plug	316 Stainless Steel
Poppet	316 Stainless Steel
Bonnet / Knob	Acetal
Seals	Fluorocarbon
Sight Glass	ISOPlast 301 Polyurethane

Lubricator - 1/2" Standard

Features

- Stainless Steel Construction handles most corrosive environments.
- Meets NACE specifications.
- High Flow: 1/2" – 47 dm³/s

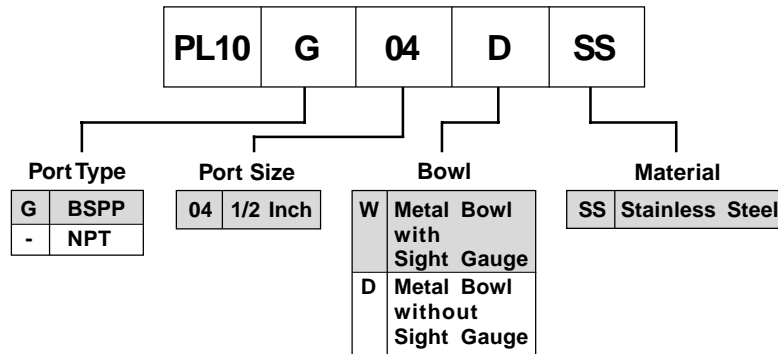


Port Size	BSPB	NPT
1/2"	PL10G04WSS	PL10-04WSS

PL10 Lubricator Dimensions		
A 60mm	A₁ 64mm	B 44 mm
C 46mm	D 127mm	E 173mm
F 89mm		

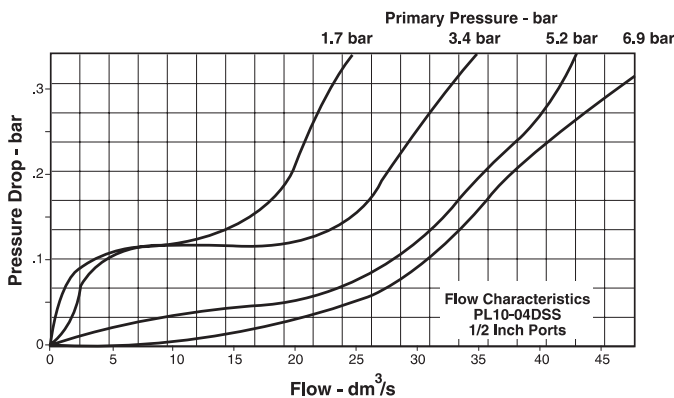
Standard part numbers shown, for other models refer to ordering information below.
 § dm³/s = flow at 6.2 bar and 0.3 bar pressure drop.

Ordering Information



NOTE: Shaded items are standard.

Technical Information





Specifications

- Bowl Capacity 118 cm³
- Port Threads 1/2 Inch
- Pressure & Temperature Ratings –
 Manual Drain – 0 to 20.7 bar (0 to 300 PSIG)
 4°C to 82°C (40°F to 180°F)
- Weight 850g

Materials of Construction

- Body 316 Stainless Steel
- Bowl 316 Stainless Steel
- Dip Tube 316 Stainless Steel
- Drain 316 Stainless Steel
- Fill Plug 316 Stainless Steel
- Seals Fluorocarbon
- Sight Dome Nylon
- Sight Gauge Polyurethane
- Sight Glass ISOPlast 301 Polyurethane

Accessories & Replacement Kits

		Series	
		Miniature	Standard
Stainless Steel Pressure Gauge (0 - 10 bar)		M1/4G40S-10	M1/4G40S-10
316 Stainless Steel Pipe nipple fittings 1/4 NPT 1/4 BSPT 1/2 NPT 1/2 BSPT		616Y28-SS AC-2SS - -	- - 616A28-SS AC-4SS
316 Stainless Steel Mounting Nut		PR05X51SS	PR10X51SS
Filter Element Kits 5. Micron 20 Micron 40 Micron 0.03 Micron 0.01 Micron		PEK504VY PEK504Y - PEKF501H -	PEK55G - PEKF55J - PEKF71
Manual Drain Kit Automatic Drain Kit		PSA600Y7-1SS -	PSA600Y7-1SS PSA602MDSS
Regulator Service Kit Relieving Non-Relieving		PRKR364YSS PRK364KYSS	PRKR10YSS PRKR10KYSS
Combined Filter/Regulator Element Kit 5 Micron 20 Micron 40 Micron		PEK504VY PEK504Y -	PEKF10VY - PEKF10Y
Filter Regulator Service Kit Relieving Non-Relieving		PRK549YSS PRK548YSS	PRKR10YSS PRKR10KYSS

Other Air Preparation Products

About Parker Hannifin Corporation

Parker Hannifin is a leading global motion-control company dedicated to delivering premier customer service. Our components and systems comprise over 1,400 product lines that control motion in some 1,000 industrial and aerospace markets. Parker is the only manufacturer to offer its customers a choice of hydraulic, pneumatic, and electro-mechanical motion-control solutions. Our Company has the largest distribution network in its field, with over 7,500 distributors serving more than 350,000 customers worldwide.

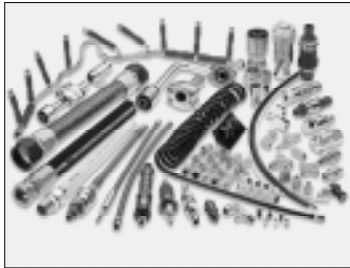
The Aerospace Group is a leader in the development, design, manufacture and servicing of control systems and components for aerospace and related high-technology markets, while achieving growth through premier customer service.



The Climate & Industrial Controls Group designs, manufactures and markets system-control and fluid-handling components and systems to refrigeration, air-conditioning and industrial customers worldwide.



The Fluid Connectors Group designs, produces and markets rigid and flexible connectors, and associated products used in pneumatic and fluid systems.



The Seal Group designs, manufactures and distributes industrial and commercial sealing devices and related products by providing superior quality and total customer satisfaction.



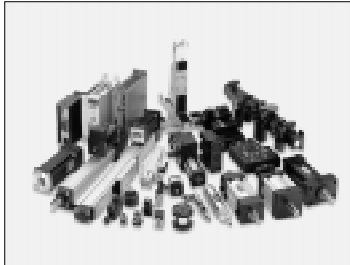
The Hydraulic Group designs, produces and markets a full spectrum of hydraulic components and systems to builders and users of industrial and mobile machinery and equipment.



The Filtration Group designs, manufactures and markets quality filtration and clarification products, providing customers with the best value, quality, technical support, and global availability.



The Automation Group is a leading supplier of pneumatic and electromechanical components and systems to automation customers worldwide.



The Instrumentation Group is a global leader in the design, manufacture and distribution of high-quality critical flow components for worldwide process instrumentation, ultra-high-purity, medical and analytical applications.



Pneumatic Division Sales Offices

Austria - Wr. Neustadt

Tel: +43 2622 23501
Fax: +43 2622 66212

Belgium - Nivelles

Tel: +32 067 280 900
Fax: +32 067 280 999

**Czech & Slovak
Republics - Prague**

Tel: +420 283 085 221
Fax: +420 283 085 360

Denmark - Ishøj

Tel: +45 43 560400
Fax: +45 43 733107

Finland - Vantaa

Tel: +358 9 4767 31
Fax: +358 9 4767 3201

France - Evreux

Tel: +33 820 825 239
Fax: +33 820 029 870

Germany - Mettmann

Tel: +49 2104 137-0
Fax: +49 2104 137-500

Greece - Athens

Tel: +30 10 933 6450
Fax: +30 10 933 6451

Hungary - Budapest

Tel: +36 1 220 4155
Fax: +36 1 422 1525

Italy - Corsico, Milan

Tel: +39 02 4519 21
Fax: +39 02 4479 340

Netherlands - Oldenzaal

Tel: +31 541 585000
Fax: +31 541 585459

Norway - Langhus

Tel: +47 6491 1000
Fax: +47 6491 1090

Poland - Warsaw

Tel: +48 22 863 49 42
Fax: +48 22 863 49 44

**Portugal - Leça da
Palmeira**

Tel: +351 22 999 7360
Fax: +351 22 996 1527

Romania - Bucharest

Tel: +40 21 252 3382
Fax: +40 21 252 3381

Russia - Moscow

Tel: +7 095 234 0054
Fax: +7 095 234 0528

Slovenia - Novo mesto

Tel: +386 7337 6650
Fax: +386 7337 6651

Spain - Madrid

Tel: +34 91 675 7300
Fax: +34 91 675 7711

Sweden - Spånga

Tel: +46 (0) 8 5979 5000
Fax: +46 (0) 8 5979 5110

Switzerland - Biel

Tel: +41 32 3653711
Fax: +41 32 3653730

UK - Cannock

Tel: +44 1543 456000
Fax: +44 1543 456001

Ukraine - Kiev

Tel: + 380 44 220 7432
Fax: + 380 44 220 6534



Parker Hannifin plc

Pneumatic Division,
Walkmill Lane, Bridgtown,
Cannock, Staffs. WS11 3LR
United Kingdom