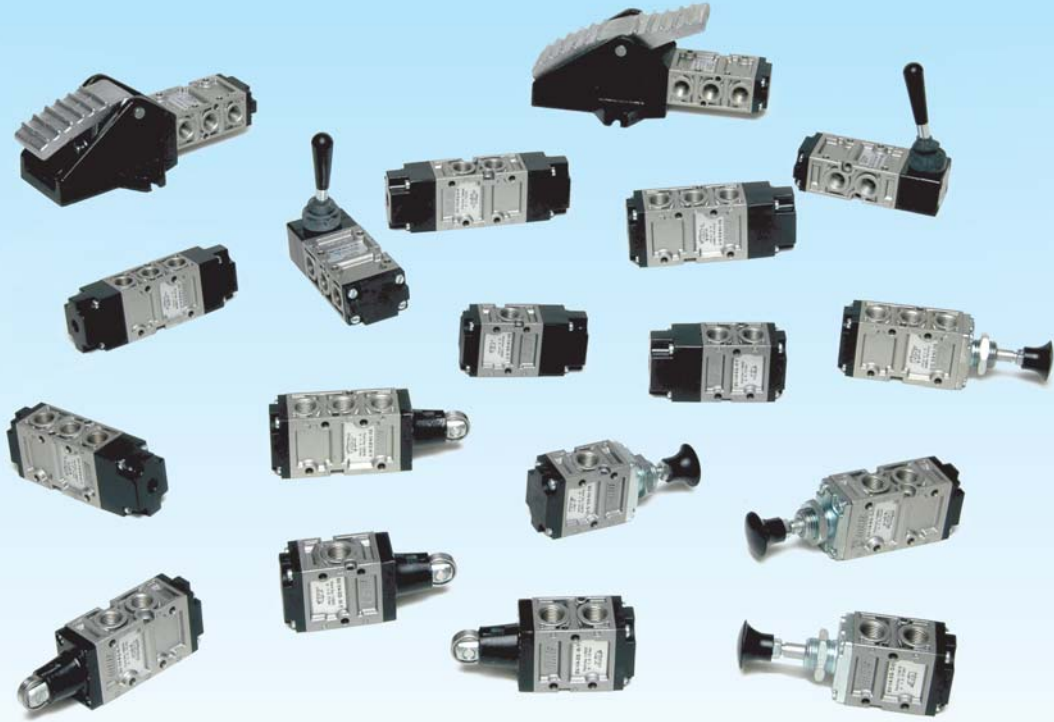


Pnömatik Yön Denetim Valfi

Pneumatic Directional Control Valve

Mekanik Uyarılı Valfler /
Mechanically Actuated Valves

MAG®



SV - 1/4 -

Ölçü Connection
G 1/4"

Yol Sayısı Number of ways
3
5

Konum Sayısı Number of positions
2
3

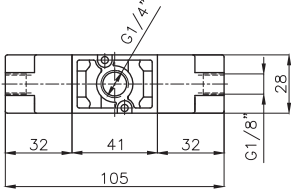
Uyarı Şekli Actuation Type	
D	Düğme / Push button
H	Hava Uyarı Air impulse
K	Kaol / Lever
M	Makara / Cam
P	Pedal

Geri Geliş Şekli Return Actuation Type	
H	Hava Uyarı / Air impulse
Y	Yay / Mechanical spring
M	Yay / Cam
O	Uyarı Şekli Aynı Same as actuation type

SV - 1/4 - 3/2

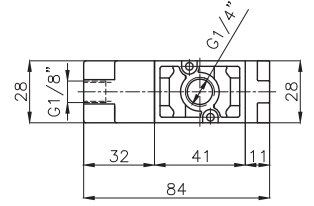
Hava Uyarılı Valf Air impulse operated valve

SV-1/4-3/2-H-H



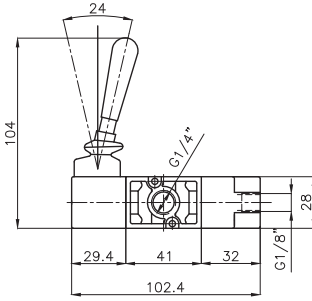
Simge / Symbol	Tip / Type	Çalışma Basıncı (bar) Operating Pressure Range (bar)	Ağırlık (g) Weight (g)
	SV-1/4-3/2-H-H	1....12	460
	SV-1/4-3/2-H-Y	3....12	280

SV-1/4-3/2-H-Y



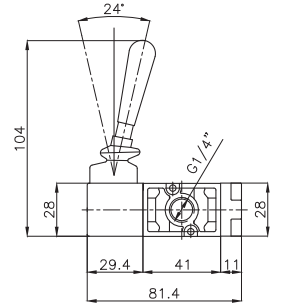
Kollu Valf Lever operated valve

SV-1/4-3/2-K-H



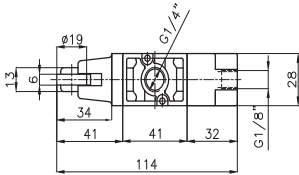
Simge / Symbol	Tip / Type	Çalışma Basıncı (bar) Operating Pressure Range (bar)	Ağırlık (g) Weight (g)
	SV-1/4-3/2-K-H	1....12	265
	SV-1/4-3/2-K-Y	-1...0....12	280
	SV-1/4-3/2-K-O	-1...0....12	350

SV-1/4-3/2-K-Y ve
SV-1/4-3/2-K-O

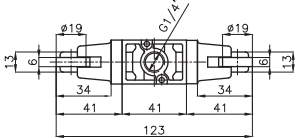


Makaralı Valf Cam operated valve

SV-1/4-3/2-M-H

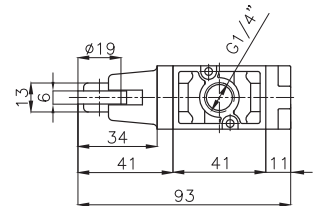


SV-1/4-3/2-M-M



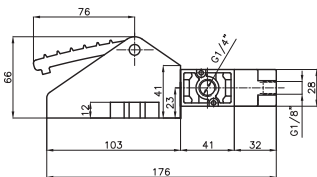
Simge / Symbol	Tip / Type	Çalışma Basıncı (bar) Operating Pressure Range (bar)	Ağırlık (g) Weight (g)
	SV-1/4-3/2-M-H	1...12	360
	SV-1/4-3/2-M-M	-1...0...12	260
	SV-1/4-3/2-M-Y	-1...0...12	200

SV-1/4-3/2-M-Y



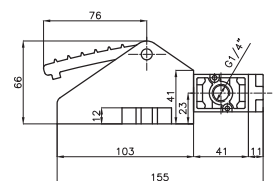
Pedallı Valf Pedal operated valve

SV-1/4-3/2-P-H

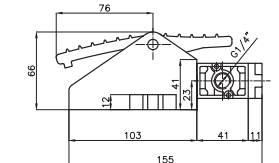


Simge / Symbol	Tip / Type	Çalışma Basıncı (bar) Operating Pressure Range (bar)	Ağırlık (g) Weight (g)
	SV-1/4-3/2-P-H	1....12	1470
	SV-1/4-3/2-P-Y	-1...0...12	1335
	SV-1/4-3/2-P-O	-1....0...12	1430

SV-1/4-3/2-P-Y



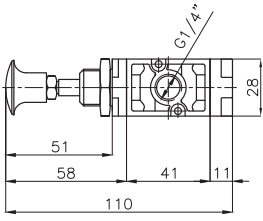
SV-1/4-3/2-P-O



Düğmeli Valf

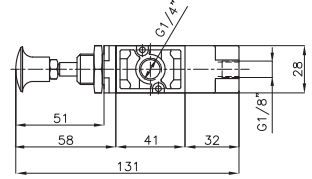
Push button operated valve

SV-1/4-3/2-D-O

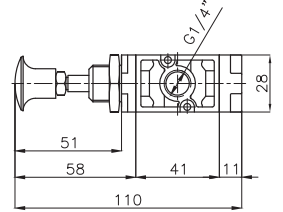


Simge / Symbol	Tip / Type	Çalışma Basıncı (bar) Operating Pressure Range (bar)	Ağırlık (g) Weight (g)
	SV-1/4-3/2-D-H	1....12	380
	SV-1/4-3/2-D-Y	-1..0..12	210
	SV-1/4-3/2-D-O	-1..0..12	205

SV-1/4-3/2-D-H



SV-1/4-3/2-D-Y

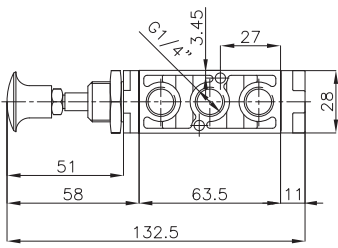


SV - 1/4 - 5/2

Düğmeli Valf

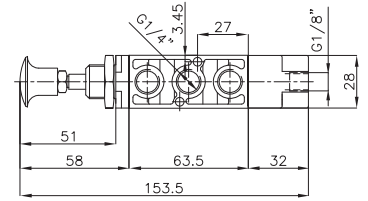
Push button operated valve

SV-1/4-5/2-D-O

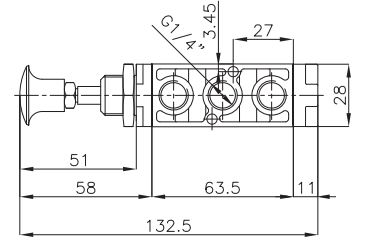


Simge / Symbol	Tip / Type	Çalışma Basıncı (bar) Operating Pressure Range (bar)	Ağırlık (g) Weight (g)
	SV-1/4-5/2-D-H	1....12	615
	SV-1/4-5/2-D-Y	-1..0..12	255
	SV-1/4-5/2-D-O	-1..0..12	255

SV-1/4-5/2-D-H



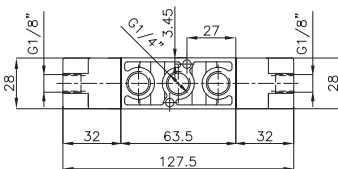
SV-1/4-5/2-D-Y



Hava Uyarılı Valf

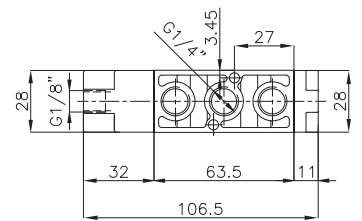
Air impulse operated valve

SV-1/4-5/2-H-H



Simge / Symbol	Tip / Type	Çalışma Basıncı (bar) Operating Pressure Range (bar)	Ağırlık (g) Weight (g)
	SV-1/4-5/2-H-H	1....12	520
	SV-1/4-5/2-H-Y	3....12	354

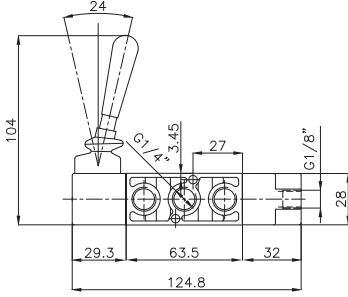
SV-1/4-5/2-H-Y



Kollu Valf

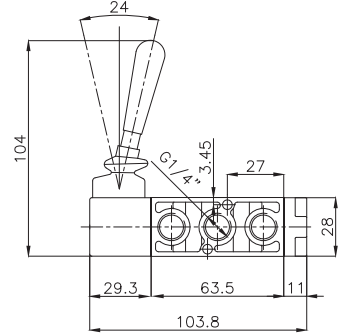
Lever operated valve

SV-1/4-5/2-K-H



Simge / Symbol	Tip / Type	Çalışma Basıncı (bar) Operating Pressure Range (bar)	Ağırlık (g) Weight (g)
	SV-1/4-5/2-K-H	1....12	561
	SV-1/4-5/2-K-Y	-1...0....12	395
	SV-1/4-5/2-K-O	-1...0....12	395

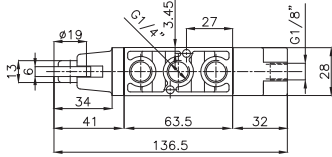
SV-1/4-5/2-K-Y ve
SV-1/4-5/2-K-O



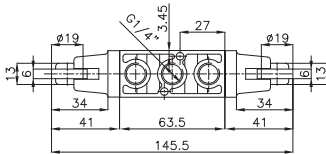
Makaralı Valf

Cam operated valve

SV-1/4-5/2-M-H

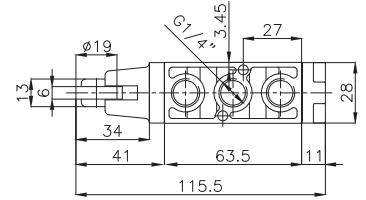


SV-1/4-5/2-M-M



Simge / Symbol	Tip / Type	Çalışma Basıncı (bar) Operating Pressure Range (bar)	Ağırlık (g) Weight (g)
	SV-1/4-5/2-M-H	1....12	615
	SV-1/4-5/2-M-M	-1...0...12	515
	SV-1/4-5/2-M-Y	-1...0...12	260

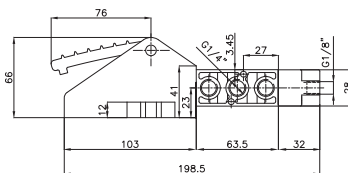
SV-1/4-5/2-M-Y



Pedallı Valf

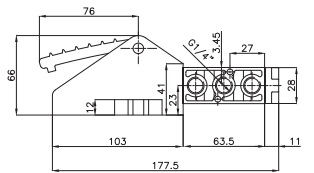
Pedal operated valve

SV-1/4-5/2-P-H

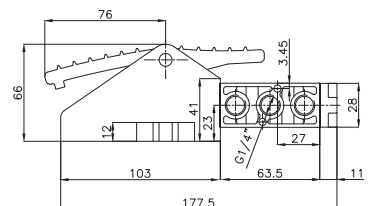


Simge / Symbol	Tip / Type	Çalışma Basıncı (bar) Operating Pressure Range (bar)	Ağırlık (g) Weight (g)
	SV-1/4-5/2-P-H	1....12	1780
	SV-1/4-5/2-P-Y	-1...0...12	1495
	SV-1/4-5/2-P-O	-1....0...12	1420

SV-1/4-5/2-P-Y



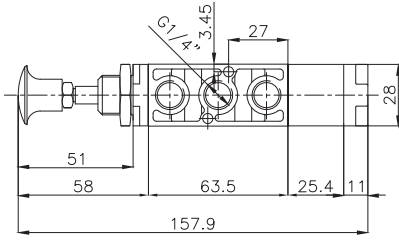
SV-1/4-5/2-P-O



SV - 1/4 - 5/3

Düğmeli Valf

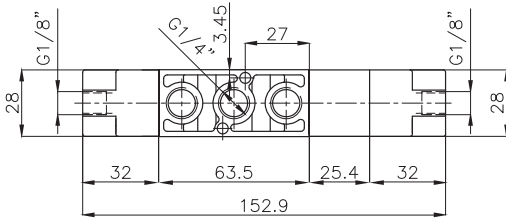
Push button operated valve



Simge / Symbol	Tip / Type	Çalışma Basıncı (bar) Operating Pressure Range (bar)	Ağırlık (g) Weight (g)
	SV-1/4-5/3-D-Y	-1..0..12	650

Hava Uyarılı Valf

Air impulse operated valve

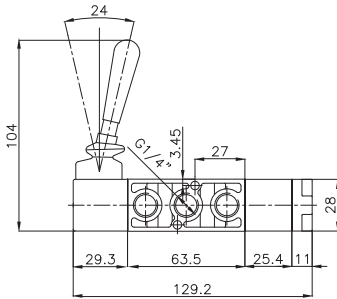


Simge / Symbol	Tip / Type	Çalışma Basıncı (bar) Operating Pressure Range (bar)	Ağırlık (g) Weight (g)
	SV-1/4-5/3-H-H	3.....12	840

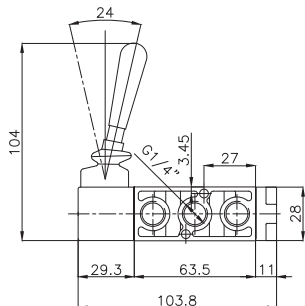
Kollu Valf

Lever operated valve

SV-1/4-5/3-K-Y



SV-1/4-5/3-K-O

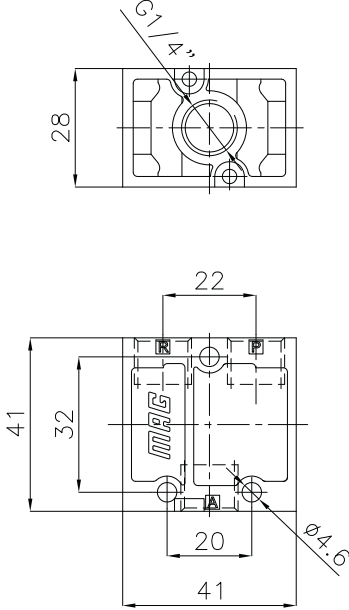


Simge / Symbol	Tip / Type	Çalışma Basıncı (bar) Operating Pressure Range (bar)	Ağırlık (g) Weight (g)
	SV-1/4-5/3-K-Y	-1..0..12	535
	SV-1/4-5/3-K-O	-1..0..12	440

SV-1/4-3/2-.....

Gövdesi

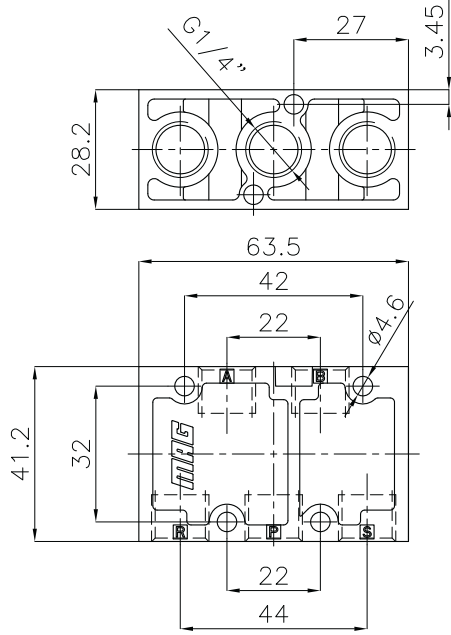
Main Body Dimensions



SV-1/4-5/2-.....

Gövdesi

Main Body Dimensions



SV - 1/4 - ile elde edilen piston hızı eğrisi

Piston speed graph formed by using SV - 1/4

